

---

# USE AND CARE GUIDE

## BROOKSTON 7 PIECE DINING SET

Product code: D71 M53224  
UPC code: 769455 772046  
Vendor Item: SC-K-429N-2T

Date of purchase: \_\_\_\_/\_\_\_\_/\_\_\_\_

## Thank you for your purchase

---

### Thank you for your purchase

We are pleased that you have chosen Sears for your outdoor furniture purchase. We hope that you enjoy the unmatched quality, comfort, and style of your new patio set. Every piece is meticulously considered all the way down to the smallest details, exclusively for you, by our world class design team. We know you have a choice when it comes to your patio furniture needs, so from our team to yours, thank you for letting us be a part of your outdoors.

## Table of Contents

---

<b>Table of Contents.....</b>	<b>2</b>
<b>Safety Information.....</b>	<b>3</b>
Set Up your Furniture Properly.....	3
Examine your furniture.....	3
<b>Warranty.....</b>	<b>3</b>
<b>Care and Maintenance.....</b>	<b>4</b>
<b>Pre-Assembly.....</b>	<b>4</b>
Planning Assembly.....	4
Observe weight Limits.....	4
Hardware Included.....	4
<b>Assembly Instructions</b>	
<b>Package Content.....</b>	<b>5</b>
<b>Table.....</b>	<b>5</b>
<b>Customer Service.....</b>	<b>6</b>

## Safety Information

---

### **SET UP YOUR FURNITURE PROPERLY**

- Ensure that all parts are assembled properly and fully tightened as per the instructions.

### **EXAMINE YOUR FURNITURE**

- Examine occasionally to ensure that there are no loose parts. If loose parts are found, they must be retightened fully before additional use.

## Warranty

---

### **WARRANTY**

We warrant our products to be free of manufacturing defects to the original purchaser for the period listed below. We reserve the right to make substitutions with similar merchandise, if the model in question is no longer in production.

### **EXCLUSIONS**

This warranty does not cover: Furniture used for commercial or non-residential purposes; failures caused by improper care; unreasonable or abusive use; freeze damage; acts of nature. Steel products are not covered against rust. Tempered glass table tops are not covered against breakage.

### **FINISH**

Frame finish is warranted to be free of manufacturing defects for a period of one (1) year. Discoloration or fading of the finish as a result of exposure to the elements, chemicals, or spills is not covered.

### **FABRIC**

Fabric is warranted to be free of manufacturing defects for a period of one (1) year. Discoloration or fading of the finish as a result of exposure to the elements, chemicals, or spills is not covered.

### **FRAMES**

Frame is warranted to be free from defects in material or workmanship for a period of two (2) years for steel frame. This product is made with a steel frame.

### **FREIGHT & PACKAGING**

Freight and packaging are the responsibility of the original purchaser.

### **CUSTOMER SERVICE**

In case of a problem, call 1-800-457-4652 between 9:00 am to 5:00 pm Eastern standard time Monday through Friday or contact us at [www.numarkcustomerservice.com](http://www.numarkcustomerservice.com) for any question or problems you may have.

## Care and Maintenance

- Though its powder-coated finish is rust-resistant, steel is prone to rust over time with exposure to the elements. In case of rust or scratches, lightly sand the affected area and apply touch-up paint. To maintain the finish periodically apply wax with a soft cloth.
- Tabletop ceramic tiles must be stored during fall and winter months in a dry location where temperatures will not fall below 32°F (0°C). Always use an umbrella base to secure umbrella. Ensure the “o” ring is in place in the umbrella hole in the glass top before inserting umbrella. Make sure umbrella is in the closed position when not in use and during high winds. Use furniture covers or store indoors during cold or inclement weather.

## Pre-Assembly

### PLANNING ASSEMBLY

Read through all the instructions before beginning assembly. Unpack and identify all the parts. Place them on a flat, non-abrasive surface. Assembly by two people is recommended.

### OBSERVE WEIGHT LIMITS

The recommended weight limits for the following products are listed below:

- Table: 100 lbs



**CAUTION:** If you overload your furniture, injuries can occur.

### HARDWARE INCLUDED



**NOTED:** Hardware not shown to actual size.

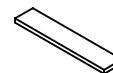
Ea (1 spare)  
Bolt



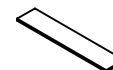
Eb (1)  
Allen Wrench



Ec (6 spare)  
Thicker Tile Bumper



Ed (6 spare)  
Thinner Tile Bumper



## Pre-Assembly



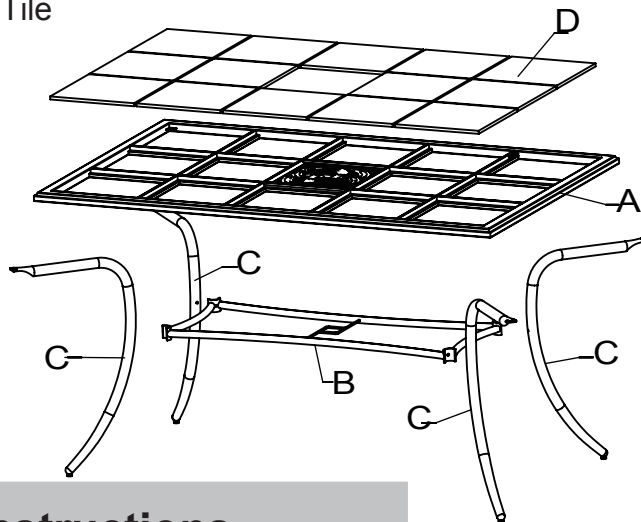
## Safety Information

Do not completely tighten bolts and nuts until indicated in assembly step.

## Assembly Instructions

### Package Contents

ITEM	DESCRIPTION	QUANTITY
A	Table Rim (8 Metal Washers and 8 Bolts attached)	1
B	Metal Center Ring	1
C	Metal Leg (1 Metal Washer and 1 Bolt attached for each)	4
D	Ceramic Tile	14+1spare



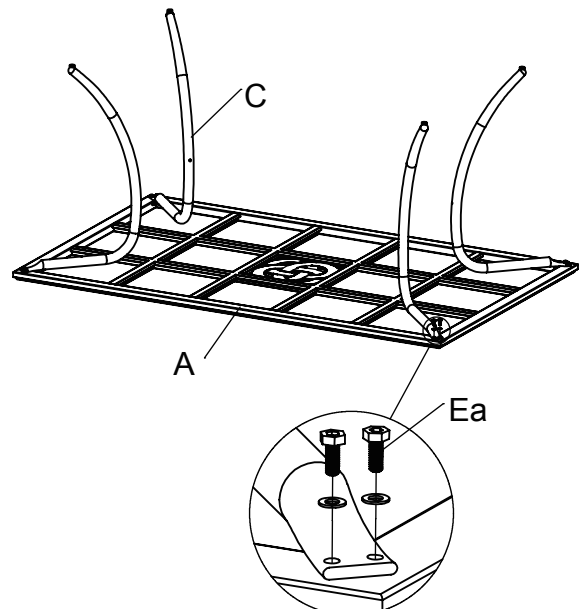
## Assembly Instructions

### 1 Attaching the legs to the tabletop.

Ea x 8  
Bolt  
(remove from the table rim)



Metal Washer x 8  
(remove from the table rim)



- Do not tighten completely.
- Repeat procedure for the other three legs.

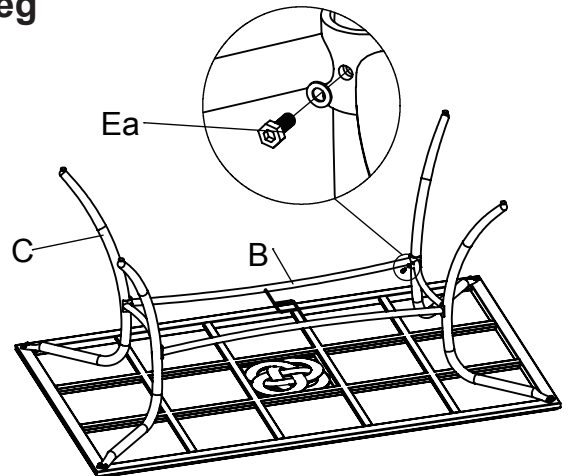
# Assembly Instructions

## 2 Attaching the metal center ring to the leg

Ea x 4  
Bolt  
(remove from the leg)

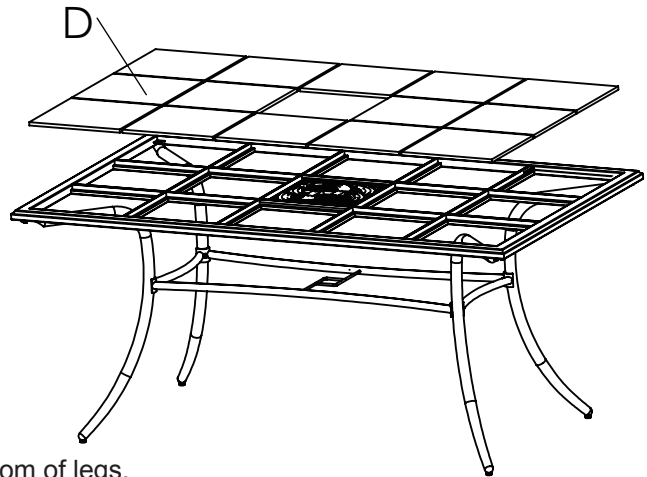


Metal Washer x 4  
(remove from the leg)



- Do not tighten completely.
- Repeat procedure for the other three legs.

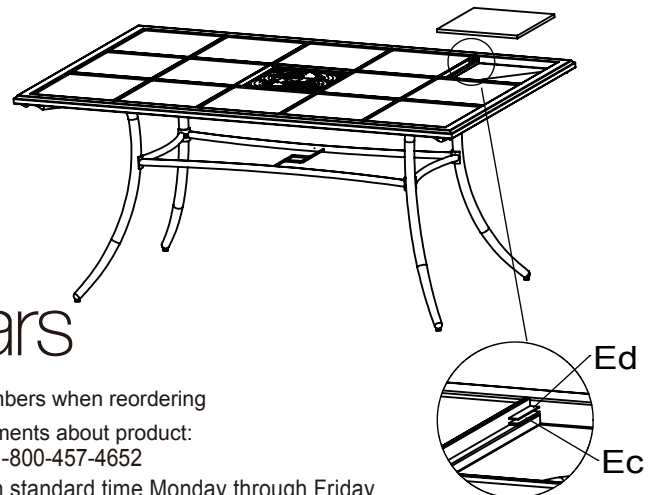
## 3 Putting the ceramic tiles into the table rim



- Turn over the whole table and keep flat.
- Securely tighten all bolts diagonally.
- Adjusting the table level by twisting knobs on bottom of legs.

## 4 Using tile bumper to adjust tabletop level if it needs.

- Your table is ready for use.



sears

Please refer to part numbers when reordering

For questions or comments about product:

Call toll-free: 1-800-457-4652

between 9:00 am to 5:00 pm Eastern standard time Monday through Friday  
or contact us at [www.numarkcustomerservice.com](http://www.numarkcustomerservice.com)

Made in / Hecho en CHINA

Distributed by Sears, Roebuck and Co., Hoffman Estates, IL 60179

See our extensive assortment of outdoor living products  
on-line at [www.sears.com](http://www.sears.com) and [www.kmart.com](http://www.kmart.com)