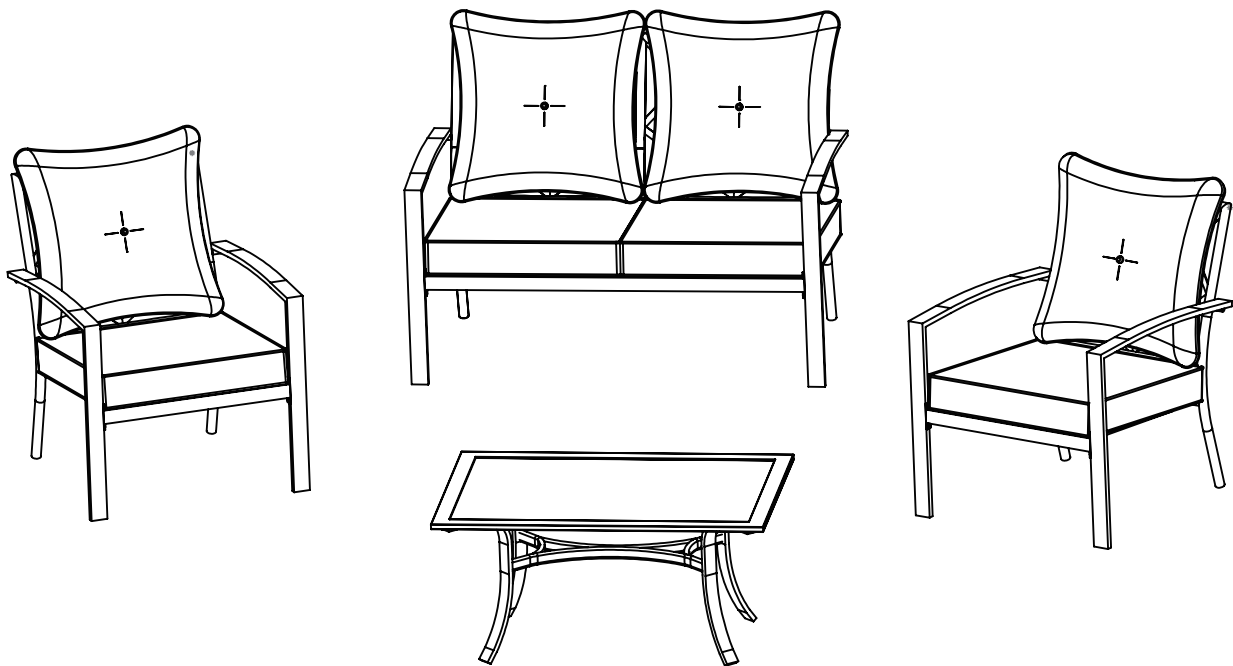


Briarwood 4 Piece Seating Set

ASSEMBLY INSTRUCTIONS

SC-K-632SF/4

Questions, problems, missing parts with this product? Do not return to your retailer, please call our customer service department 9:00 a.m. to 5:00 p.m. Eastern Standard Time Monday through Friday Phone # 1-800-457-4652 or contact us at www.numarkcustomerservice.com

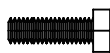


Hardware

Ka x 1 spare
M6 x 15L Bolt



Kb x 12+1 spare
M6 x 20L Bolt



Kc x 8 + 1 spare
M6 x 36L Bolt



Kd x 6
M6 x 50L Bolt



Ke x 26
Metal Washer

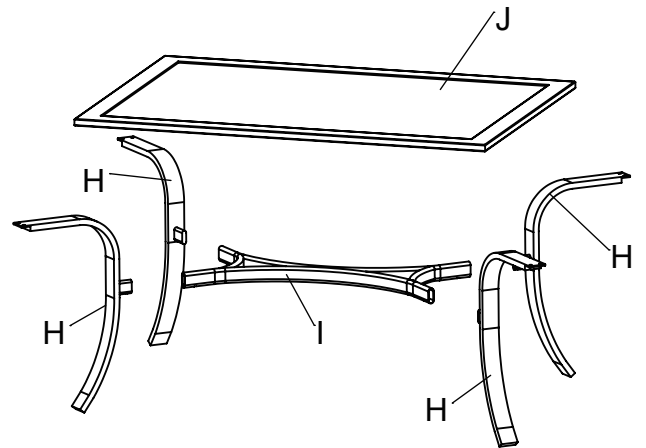
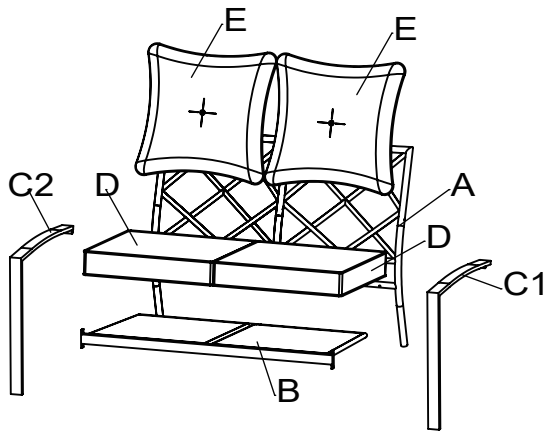
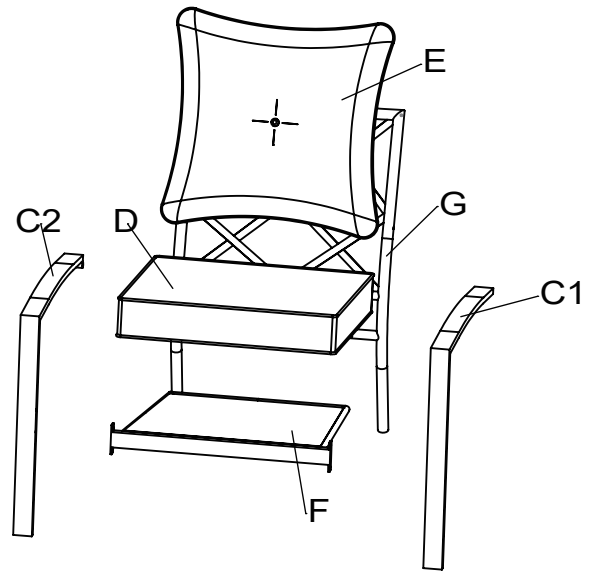


Kf x 1
Allen Wrench



Parts

A	Loveseat Back	1
B	Loveseat Seat	1
C1	Left Arm	3
C2	Right Arm	3
D	Seat Cushion	4
E	Back Cushion	4
F	Chair Seat	2
G	Chair Back	2
H	Table Leg (1 Bolt and 1 Metal Washer attached for each)	4
I	Center Ring	1
J	Tabletop (8 Bolts and 8 Metal Washers attached)	1



Assembly instruction

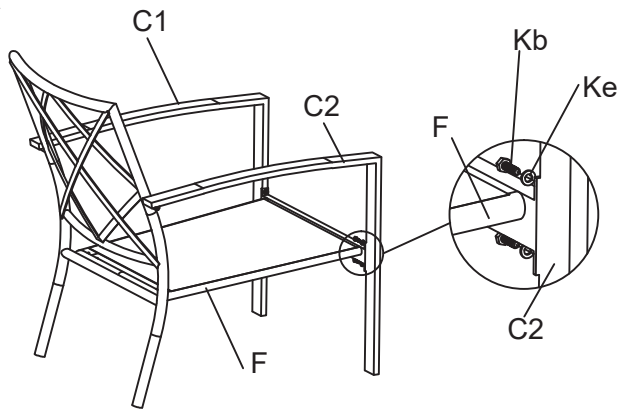
1

Kc X 2
M6 x 36L Bolt

Ke X 2
Metal Washer

Repeat procedure for the other side.

2



Kb x 4
M6 x 20L Bolt

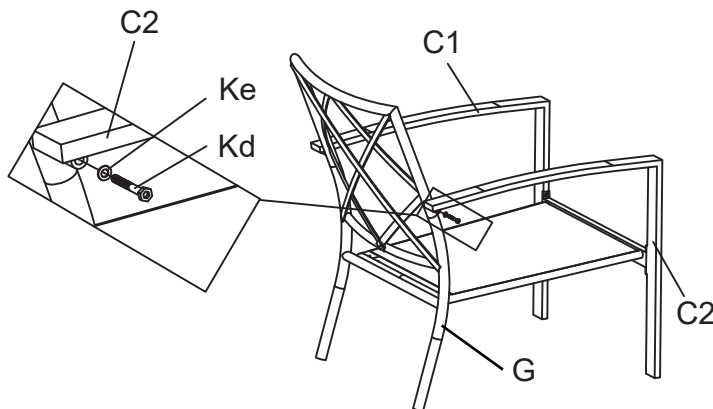


Ke x 4
Metal Washer



Repeat procedure for the other side.

3



Kd x 2
M6 x 50L Bolt

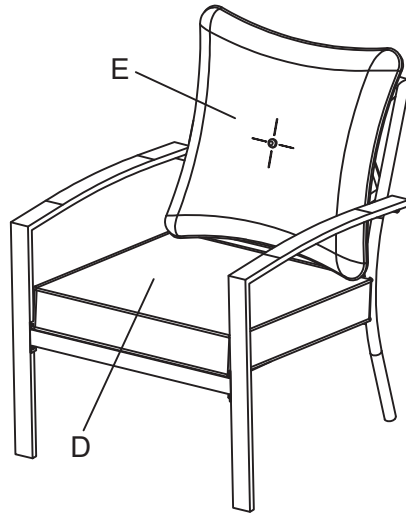


Ke x 2
Metal Washer



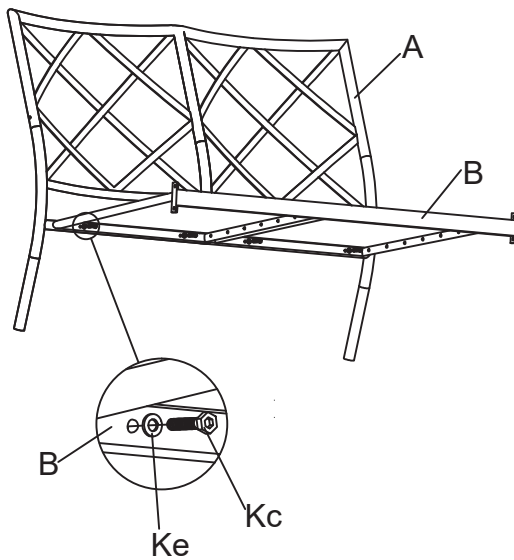
Repeat procedure for the other side.

4



Securely tighten all bolts.
Repeat procedure for the other chair.

5



Kc x 4
M6 x 36L Bolt

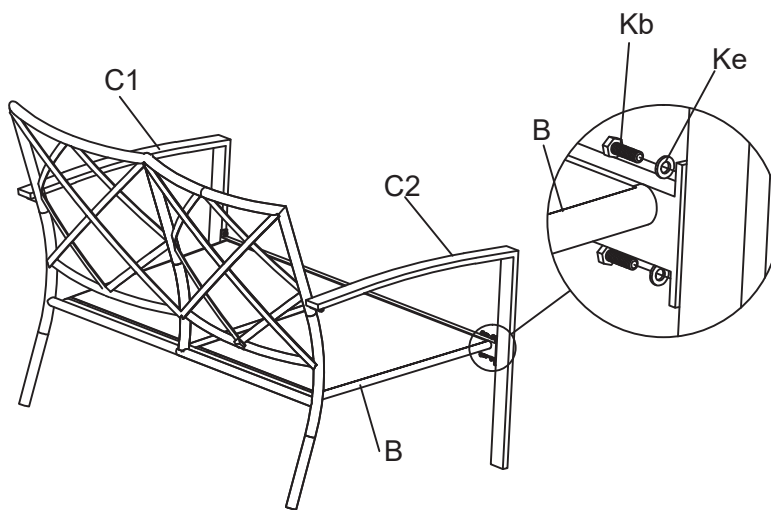


Ke x 4
Metal Washer



Repeat procedure for the other three holes.

6



Kb x 4
M6 x 20L Bolt

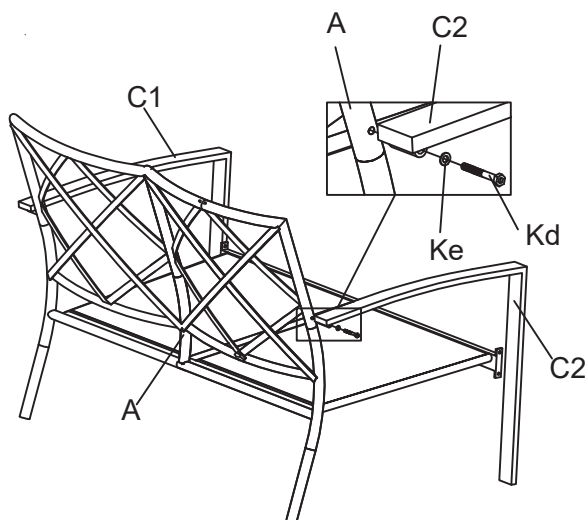


Ke x 4
Metal Washer



Repeat procedure for the other side.

7



Kd x 2
M6 x 50L Bolt

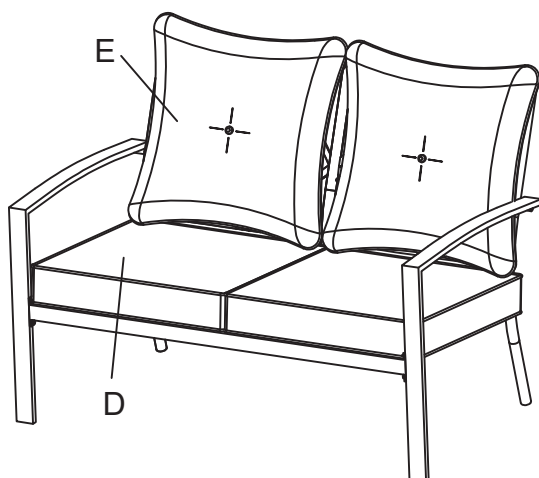


Ke x 2
Metal Washer



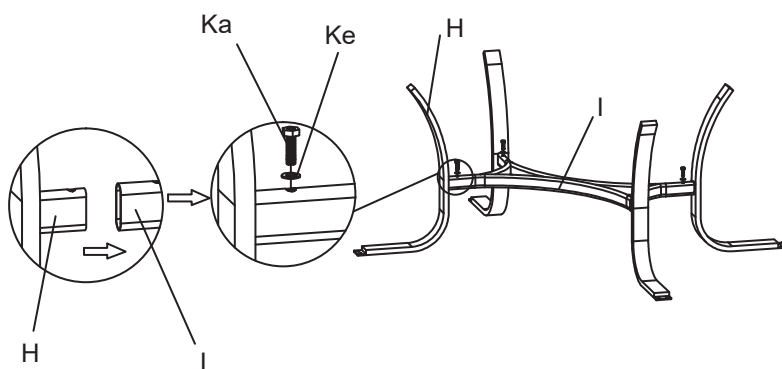
Repeat procedure for the other side.
Securely tighten all bolts.

8



Your cushion chairs and loveseat are now ready to use.

9



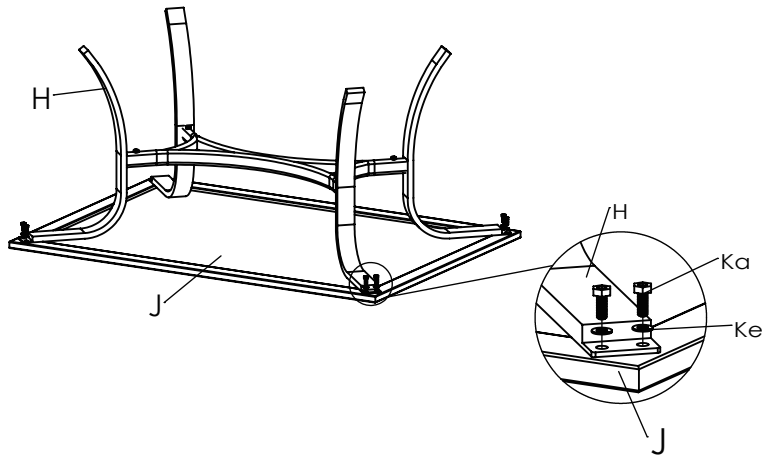
Ka x 4
M6 x 15L Bolt
(Remove from the leg)



Ke x 4
Metal Washer
(Remove from the leg)



10



Ka x 8
M6 x 15L Bolt
(Remove from the tabletop)



Ke x 8
Metal Washer
(Remove from the tabletop)



Tighten all bolts in a diagonal pattern.
Now your seating set is ready for use.